

**PLEASE CHECK WWW.MOLEX.COM FOR LATEST PART INFORMATION**

**Part Number:** **5003340160**  
**Status:** **Active**  
**Overview:** slimstack\_050mm\_020\_pitch  
**Description:** 0.50mm (.020") Pitch SlimStack™ Plug, Surface Mount, Dual Row, Vertical, 2.50mm (.098") Stack Height, 16 Circuits

**Documents:**

[3D Model](#) [Product Specification PS-54102-010 \(PDF\)](#)  
[Drawing \(PDF\)](#) [RoHS Certificate of Compliance \(PDF\)](#)

**General**

Product Family	PCB Headers
Series	<a href="#">500334</a>
Application	Board-to-Board
Overview	<a href="#">slimstack_050mm_020_pitch</a>
Product Name	SlimStack™

**Physical**

Breakaway	No
Circuits (Loaded)	16
Color - Resin	Black
Durability (mating cycles max)	30
First Mate / Last Break	No
Glow-Wire Compliant	No
Guide to Mating Part	No
Keying to Mating Part	None
Lock to Mating Part	Yes
Mated Height (in)	0.098 In
Mated Height (mm)	2.50 mm
Material - Metal	Brass
Material - Plating Mating	Gold
Material - Plating Termination	Gold
Number of Rows	2
Orientation	Vertical
PCB Locator	No
PCB Retention	None
Packaging Type	Embossed Tape on Reel
Pitch - Mating Interface (in)	0.020 In
Pitch - Mating Interface (mm)	0.50 mm
Polarized to PCB	No
Stackable	No
Temperature Range - Operating	-40°C to +85°C
Termination Interface: Style	Surface Mount

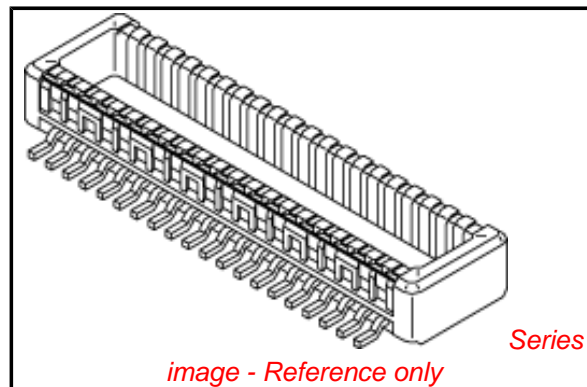
**Electrical**

Current - Maximum per Contact	0.5A
Voltage - Maximum	50V

**Material Info**

**Reference - Drawing Numbers**

Packaging Specification	SPK-500334-001
Product Specification	PS-54102-010, RPS-54102-008, RPS-54102-012, RPS-54102-014, RPS-54102-017
Sales Drawing	SD-500334-001, SD-500334-002



**EU RoHS**

**ELV and RoHS  
Compliant**  
**REACH SVHC**  
 Not Reviewed  
**Halogen-Free**  
**Status**  
**Not Reviewed**

**China RoHS**



**Need more information on product  
environmental compliance?**

Email [productcompliance@molex.com](mailto:productcompliance@molex.com)  
 For a multiple part number RoHS Certificate of  
 Compliance, [click here](#)

Please visit the [Contact Us](#) section for any  
 non-product compliance questions.

**Search Parts in this Series**

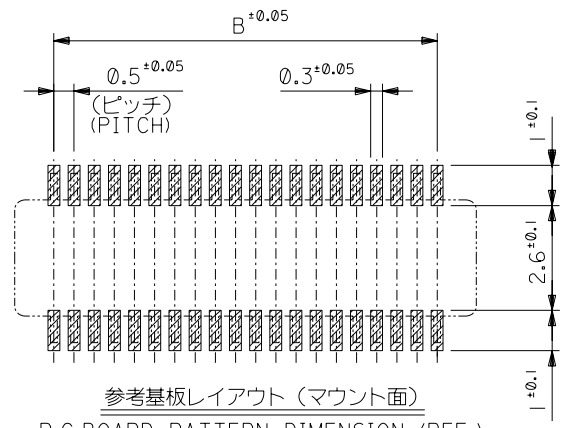
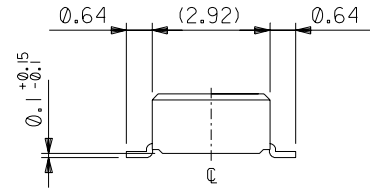
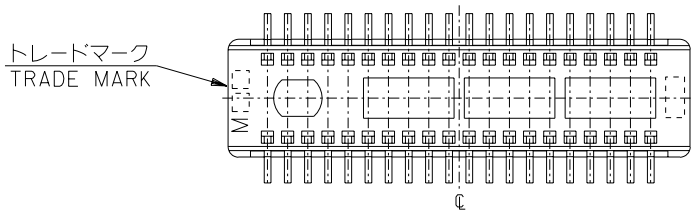
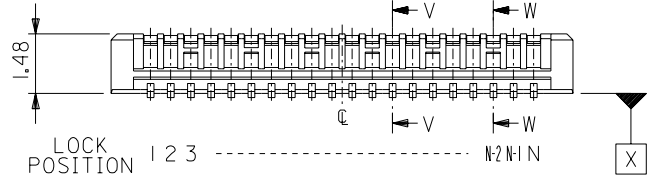
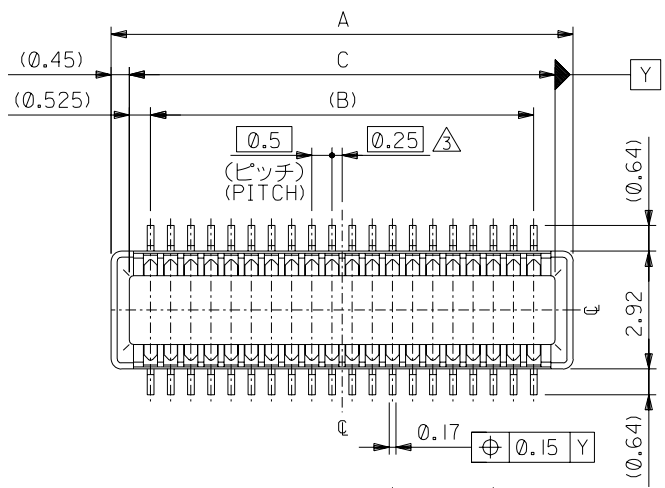
[500334Series](#)

**Mates With**

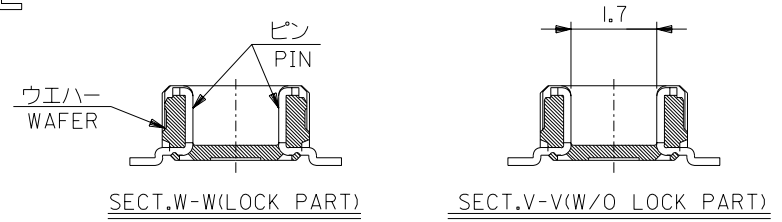
[54102 SlimStack™ Receptacle](#)

This document was generated on 05/26/2010

**PLEASE CHECK [WWW.MOLEX.COM](http://WWW.MOLEX.COM) FOR LATEST PART INFORMATION**



参考基板レイアウト (マウント面)  
P.C. BOARD PATTERN DIMENSION (REF.)  
(MOUNTING AREA)

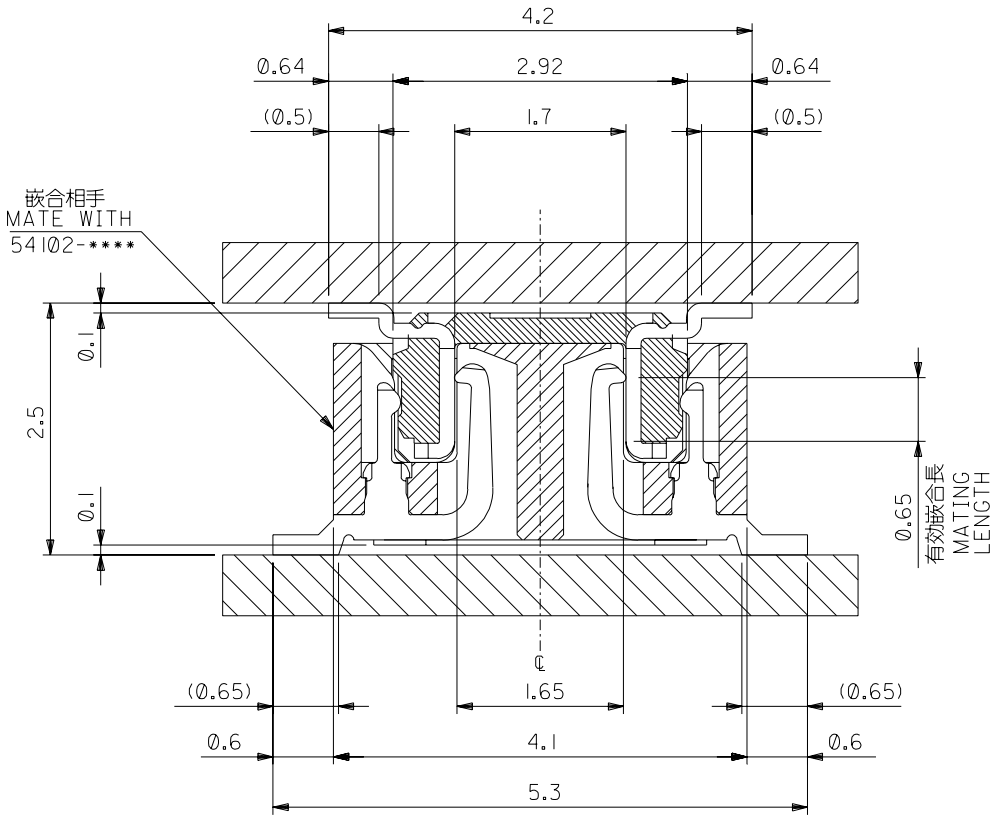


ALL	8.05	7	8.95	500334-0308	30
	5.55	4.5	6.45	500334-0208	20
	4.55	3.5	5.45	500334-0168	16
LOCK POSITION	C	B	A	MATERIAL No.	CIRCUIT

DO NOT SCALE DRAWING

EC NO. DRWN: CHK: APPR:	EC NO. DRWN: CHK: APPR:	EC NO. DRWN: CHK: APPR:	REVISED '04/03/22 EC NO. J2004-2899 DRWN: K. TOYODA CHK: K. ASAKAWA APPR: S. ICHIKAWA	RELEASED '03/04/04 EC NO. J2003-2536 DRWN: T. YASUI CHK: T. ITO APPR: T. YAMAGUCHI	DESCRIPTION	MATERIAL 材料	GENERAL TOLERANCES: (UNLESS SPECIFIED) 一般公差	SCALE —//	MODEL No. 500334-***8	DESIGN UNITS <input checked="" type="checkbox"/> mm <input type="checkbox"/> INCH	THIRD ANGLE PROJECTION	DIMENSIONS: <input type="checkbox"/> mm <input type="checkbox"/> INCH <input type="checkbox"/> mm ONLY	SHT	REV
			A	0	注記参照 SEE NOTES	FINISH 仕上げ	10 UNDER 未満 ±0.2	DRAWN BY & DATE T. YASUI '03/ 4/ 4	TITLE: 0.5 BOARD TO BOARD Conn PLUG Assy (Hgt=2.5) -LEAD FREE-					
					—//	WIRE RANGE 適用線径範囲	10 OVER 30 UNDER 未満 ±0.25	CHECKED BY & DATE T. ITO '03/ 4/ 7	MOLEX INCORPORATED					
					—//	INS. RANGE 被覆外径	30 OVER 以上 ±0.3	APPROVED BY & DATE T. YAMAGUCHI '03/ 4/ 7	MATERIAL NO.	DRAWING NO.	SHEET NO.			
							ANGLE 角度 ±3°	CAD FILENAME SD-500334-001.S01	SEE CHART	SD-500334-001	1 OF 2			
THIS DRAWING CONTAINS INFORMATION THAT IS PROPRIETARY TO MOLEX INCORPORATED AND SHOULD NOT BE USED WITHOUT WRITTEN PERMISSION.												SIZE B		

DWG. NO.  
SD-500334-001



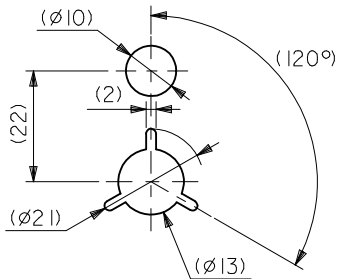
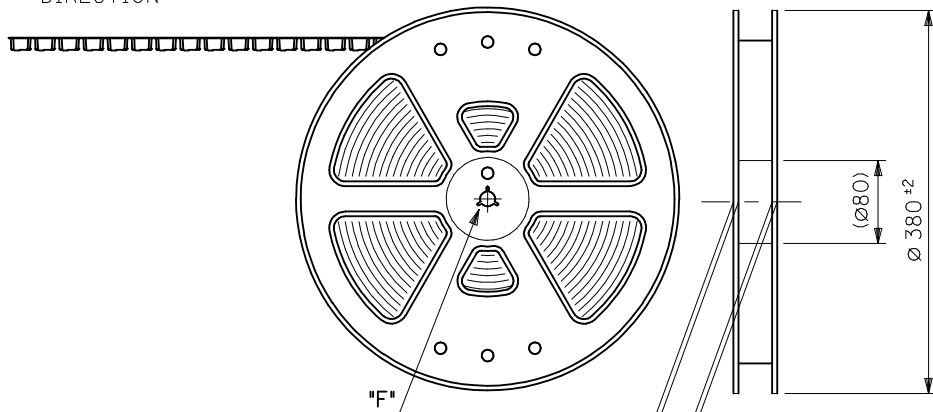
注記 NOTES:

1. 使用材料 MATERIAL  
ハウジング: 液晶ポリマー (LCP), ガラス充填, UL94V-0, 色: 黒  
HOUSING: LIQUID CRYSTAL POLYMER(LCP), GLASS FILLED  
UL94V-0, COLOR: BLACK  
ターミナル: 黄銅 (t=0.15)  
TERMINAL: BRASS (t=0.15)
2. メッキ仕様 PLATING  
金メッキ 0.25マイクロメートル以上 (コンタクト部)  
GOLD(Au) 0.25 MICROMETER MINIMUM (CONTACT AREA)  
金メッキ 0.4マイクロメートル以下 (テール部)  
GOLD(Au) 0.4 MICROMETER MAXIMUM (TAIL AREA)  
下地メッキ: ニッケルメッキ 1.5マイクロメートル以上  
UNDER PLATING: NICKEL 1.5 MICROMETER MINIMUM
- ③ (全極数/2) = 偶数の場合に適用。  
APPLY FOR (CIRCUIT/2)=EVEN.
4. 嵌合相手: 54102シリーズ  
MATE WITH: 54102 SERIES.
5. テール平坦度は 0.1以下。  
TAIL COPLANARITY TO BE 0.1 MAXIMUM.

DO NOT SCALE DRAWING

64 NO. DRWN: CH'K: APPR: 63 NO. DRWN: CH'K: APPR: 62 NO. DRWN: CH'K: APPR: 61 NO. DRWN: CH'K: APPR: A 0		SEE SHEET 1 OF 2 DRWN: CH'K: APPR:	MATERIAL 材料 注記参照 SEE NOTES FINISH 仕上げ 適用 適用 WIRE RANGE 適用 適用 INS. RANGE 被覆 被覆	DESCRIPTION 注記参照 SEE NOTES 一般公差 10 UNDER 未満 ±0.2 10 OVER 以上 30 UNDER 未満 ±0.25 30 OVER 以上 ±0.3 ANGLE 角度 ±3°	MODEL No. 500334-***8 DIMENSIONS: SHT REV DESIGN UNITS: mm INCH PROJECTION: 2D TITLE: 0.5 BOARD TO BOARD Conn PLUG Assy (Hgt=2.5) -LEAD FREE- MOLEX INCORPORATED MATERIAL NO. DRAWING NO. SHEET NO. SEE CHART SD-500334-001 2 OF 2
--	--	---------------------------------------	---	---	---

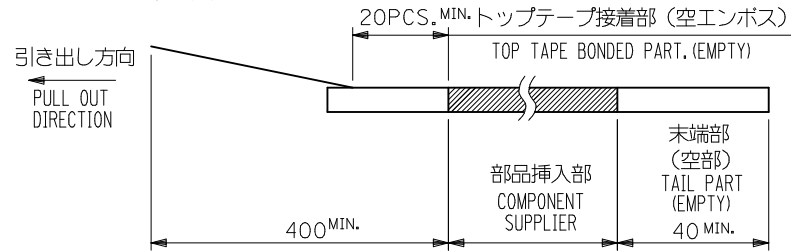
引き出し方向  
PULL OUT  
DIRECTION



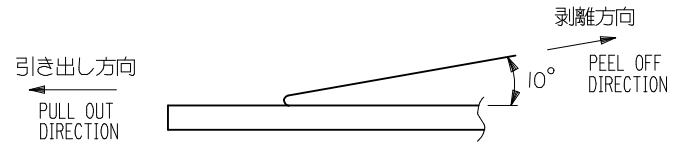
DETAIL "F"

NOTES

- 製品詳細寸法については図面 SD-500334-001 を参照下さい。  
RE DETAILED DIMENSION, SEE SD-500334-001
- 梱包数量：3000個/リール  
NUMBER OF CONNECTORS : 3000PCS/REEL
- リードテープ長さ LEAD TAPE LENGTH



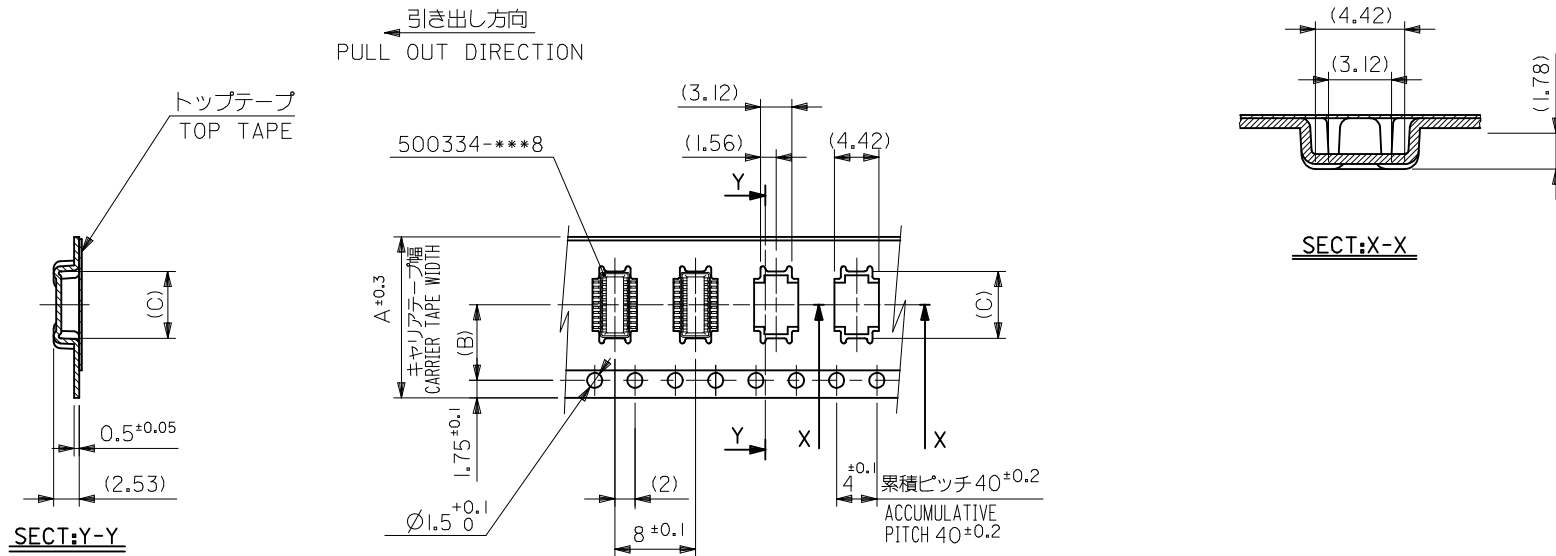
- トップテープの剥離強度：0.1N ~ 0.7N (10.2gf ~ 71.4gf)  
(剥離方向は下図参照)  
尚、本規格値は出荷時に適用。(但し、輸送時に剥離が発生しないこと。)  
PEELING OFF FORCE OF TOP TAPE : 0.1N ~ 0.7N (10.2gf ~ 71.4gf)  
(PEELING DIRECTION AS SHOWN IN FOLLOWING FIG.)  
THIS REQUIREMENT SHOULD BE APPLIED AT SHIPMENT.  
PEEL OFF SHOULD NOT BE ALLOWED , DURING TRANSPORTATION.



⑤. 材料 MATERIAL

キャリアテープ：ポリプロピレン (PP)  
CARRIER TAPE : POLYPROPYLENE (PP)  
トップテープ：ポリエステル (PET)、ポリエチレン (PE)、ポリエチレンフォーム (PEF)  
TOP TAPE : POLYESTER (PET)、POLYETHYLENE (PE)、POLYETHYLENEFOAM (PEF)  
リール：ポリスチレン (PS) <リサイクル材を含む>  
REEL : POLYSTYRENE (PS) <RECYCLE MATERIAL CONTAINED>

REVISED EC NO: J2009-2132 DRWN: YOSHIKAWA 2009/03/19 CHKD: HAYASHI 2009/03/23 APPR: NUKITA 2009/03/24	DESCRIPTION	GENERAL TOLERANCES (UNLESS SPECIFIED)		DIMENSION STYLE MM ONLY		SCALE ---	DESIGN UNITS METRIC	THIRD ANGLE PROJECTION	
		10 UNDER	± 0.2	DRAWN BY N. YOSHIKAWA	DATE 2009/03/18	TITLE EMBSTP PKG FOR 0.5 B/B PLUG ASSY (HGT=2.5) -LEAD FREE-			
		10 OVER 30 UNDER	± 0.25	CHECKED BY M. HAYASHI	DATE 2009/03/18	MOLEX INCORPORATED			
		30 OVER	± 0.3	APPROVED BY N. UKITA	DATE 2009/03/18	MATERIAL NO. SEE CHART		DOCUMENT NO. SD-500334-002	SHEET NO. 1 OF 2
REV		ANGULAR ± 3 °		SIZE A3		THIS DRAWING CONTAINS INFORMATION THAT IS PROPRIETARY TO MOLEX INCORPORATED AND SHOULD NOT BE USED WITHOUT WRITTEN PERMISSION			
		DRAFT WHERE APPLICABLE MUST REMAIN WITHIN DIMENSIONS							



16mm幅キャリアテープ  
16mm WIDTH CARRIER TAPE

500334-***0	29.4	25.4	9.15	11.5	24	500334-0300	30
	21.4	17.4	6.65	7.5	16	500334-0200	20 <sup>Ⓞ</sup>
	21.4	17.4	5.65	7.5	16	500334-0160	16
MODEL NO.	<sup>Ⓞ</sup> E	<sup>Ⓞ</sup> D	(C)	(B)	A	MATERIAL No.	極数 CKT.

<b>REVISED</b> EC NO: J2009-2132 DRWN: YOSHIKAWA 2009/03/19 CHK'D: HAYASHI 2009/03/23 APPR: NUKITA 2009/03/24	GENERAL TOLERANCES (UNLESS SPECIFIED)		DIMENSION STYLE <b>MM ONLY</b>		SCALE ---	DESIGN UNITS <b>METRIC</b>	THIRD ANGLE PROJECTION
	10 UNDER	±0.2	DRAWN BY N. YOSHIKAWA	DATE 2009/03/19	TITLE <b>EMBSTP PKG FOR 0.5 B/B PLUG ASSY (HGT=2.5) -LEAD FREE-</b>		
	10 OVER 30 UNDER	±0.25	CHECKED BY M. HAYASHI	DATE 2009/03/19	MOLEX INCORPORATED		
	30 OVER	±0.3	APPROVED BY N. UKITA	DATE 2009/03/19	MATERIAL NO.	DOCUMENT NO.	SHEET NO.
ANGULAR ±3 °		DRAFT WHERE APPLICABLE MUST REMAIN WITHIN DIMENSIONS		SEE CHART		SD-500334-002	2 OF 2
THIS DRAWING CONTAINS INFORMATION THAT IS PROPRIETARY TO MOLEX INCORPORATED AND SHOULD NOT BE USED WITHOUT WRITTEN PERMISSION							